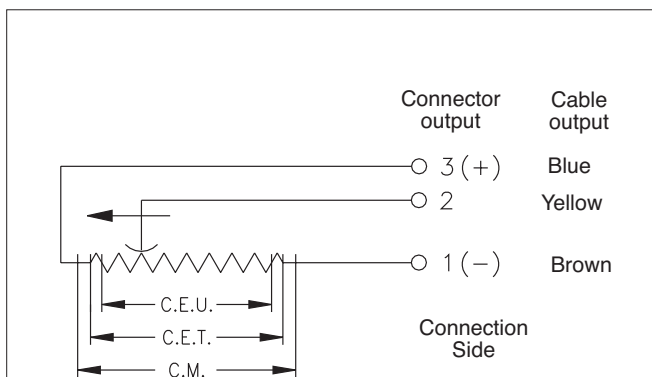




## MECHANICAL / ELECTRICAL DATA

Model		10	25	50	75	100
Useful electrical stroke (C.E.U.) +1/-0	mm	10	25	50	76	101
Theoretical electrical stroke (C.E.T.) ±1	mm	C.E.U. +1			76	101
Resistance (C.E.T.)	kΩ	1	1	5	5	5
Independent linearity (within C.E.U.)	± %	0.3	0.2	0.1	0.1	0.1
Dissipation at 40° (0W at 120°C)	W	0.2	0.6	1.2	1.8	2.4
Maximum applicable voltage	V	14	25	60	60	60
Mechanical stroke (C.M.)	mm	C.E.U. + 5				
Case length (A)	mm	C.E.U. + 38				
Tip length (B)	mm	32	32	40	40	40
Total length (C)	mm	108	138	196	251	307
Quote (D)	mm	-	-	-	5	11

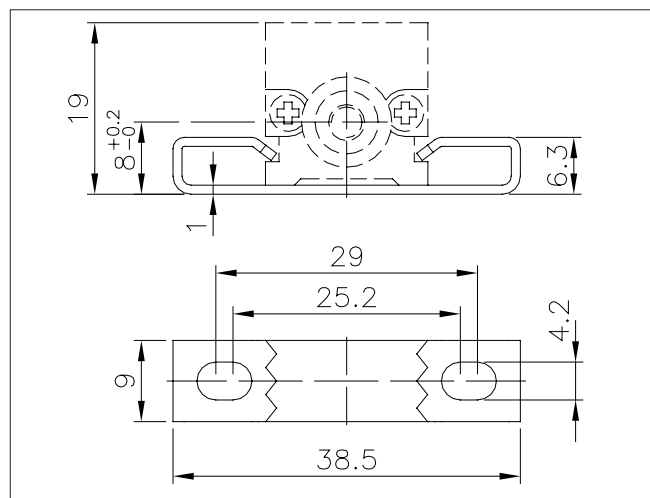
## ELECTRICAL CONNECTIONS



### INSTALLATION INSTRUCTIONS

- Respect the indicated electrical connections (DO NOT use the transducer as a variable resistance)
- When calibrating the transducer, be careful to set the stroke so that the output does not drop below 1% or rise beyond 99% of the supply voltage.

## OPTIONAL FIXING KIT PKIT006



## ORDER CODE

Displacement transducer **PY2**

3 pole PVC cable output 3x0.25 1m	<b>F</b>
5 pole connector output DIN 43322	<b>C</b>

Model

**S** **M**

Cable length  
(in metres)

This part of the code only applies to the model with cable output

No certificate attached	<b>0</b>
Linearity curve to be attached	<b>L</b>

Standard mounting brackets (PKIT005)	<b>X</b>
Optional mounting brackets (PKIT006)	<b>S</b>

Color of plastic heads (green)	<b>0</b>
Color of plastic heads (black)	<b>N</b>

0 0 0 X 0 0 0 0

Ex.: **PY2 - C - 100**

Displacement transducer model PY2, 5-pole connector output, useful electrical stroke (C.E.U.) 100mm.

## ACCESSORIES

### STANDARD ACCESSORIES

Fixing kit: 4 brackets, M4x10 screws, washer	<b>PKIT005</b>
Fixing kit: 2 "wraparound" brackets (0000X000S00 configurator option)	<b>PKIT006</b>
Tip with bal	<b>PTAS000</b>

### OPTIONAL ACCESSORIES

5-pin axial female PCB connector DIN43322 IP40 clamp for wire $\varnothing 4 - \varnothing 6$ mm	<b>CON011</b>
5-pin axial female PCB connector DIN43322 IP65 clamp PG7 for wire $\varnothing 4 - \varnothing 6$ mm	<b>CON012</b>
5-pin 90° radial female PCB connector DIN43322 IP40 clamp for wire $\varnothing 4 - \varnothing 6$ mm	<b>CON013</b>

**GEFRAN spa** reserves the right to make any kind of design or functional modification at any moment without prior notice